

**Actuator Model:** FSAFB24-SR-S with 2 built-in Auxiliary Switches

**Modulating Signal Source:** Fire Alarm Control Panel/BMS

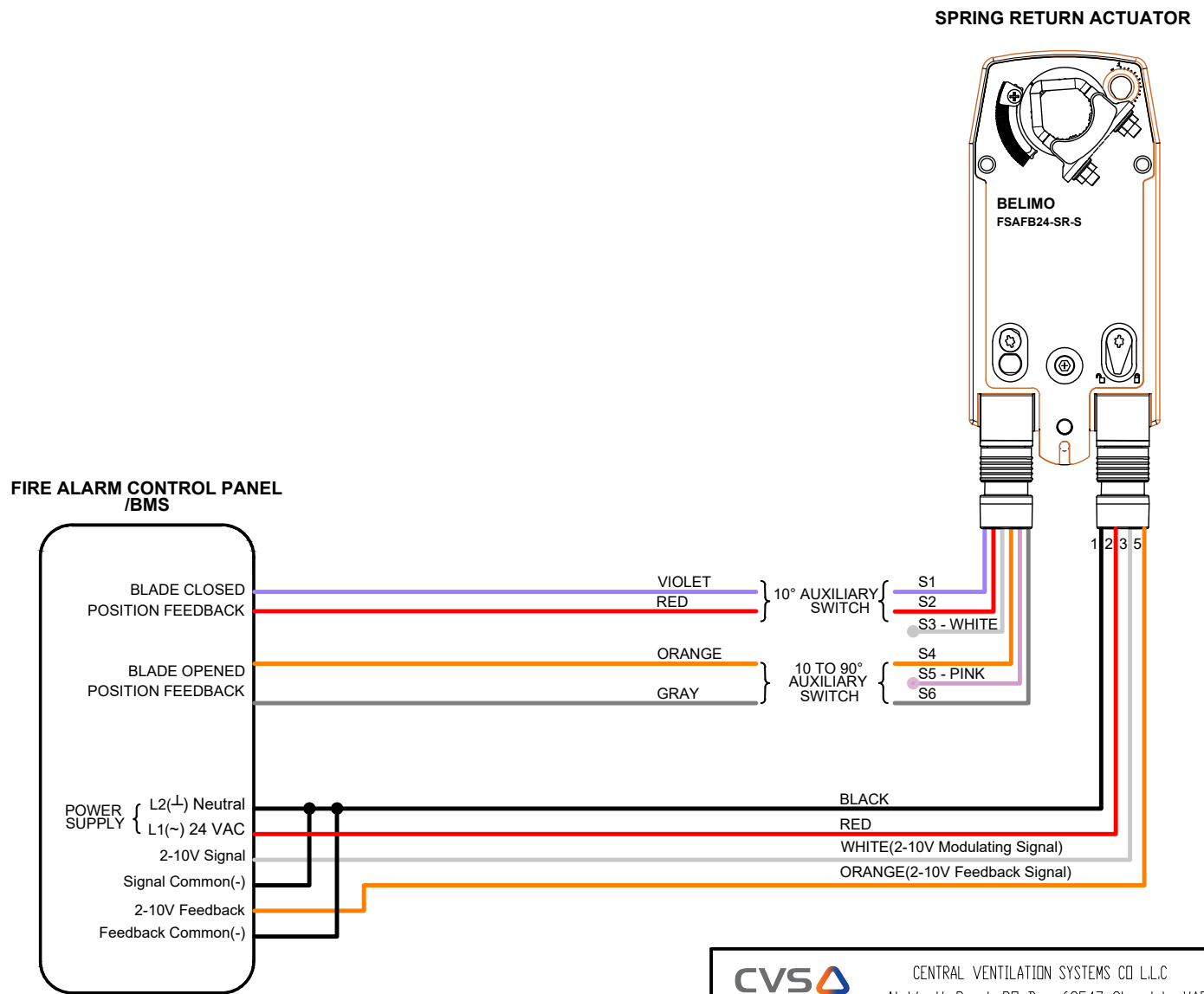
**Modulating Signal Type:** 2-10VAC

**Power Supply:** 24 VAC

**Torque:** 20 Nm

**Applicable on following CVS-SAFE4 Damper Models:** S-AFM-PB-I, S-AFM-OB-I, S-AFM-PB-II, S-AFM-OB-II

### Wiring Diagram



**Actuator Model:** FSAFB24-SR-S with 2 built-in Auxiliary Switches

**Modulating Signal Source:** Fire Alarm Control Panel/BMS

**Modulating Signal Type:** 4-20mA

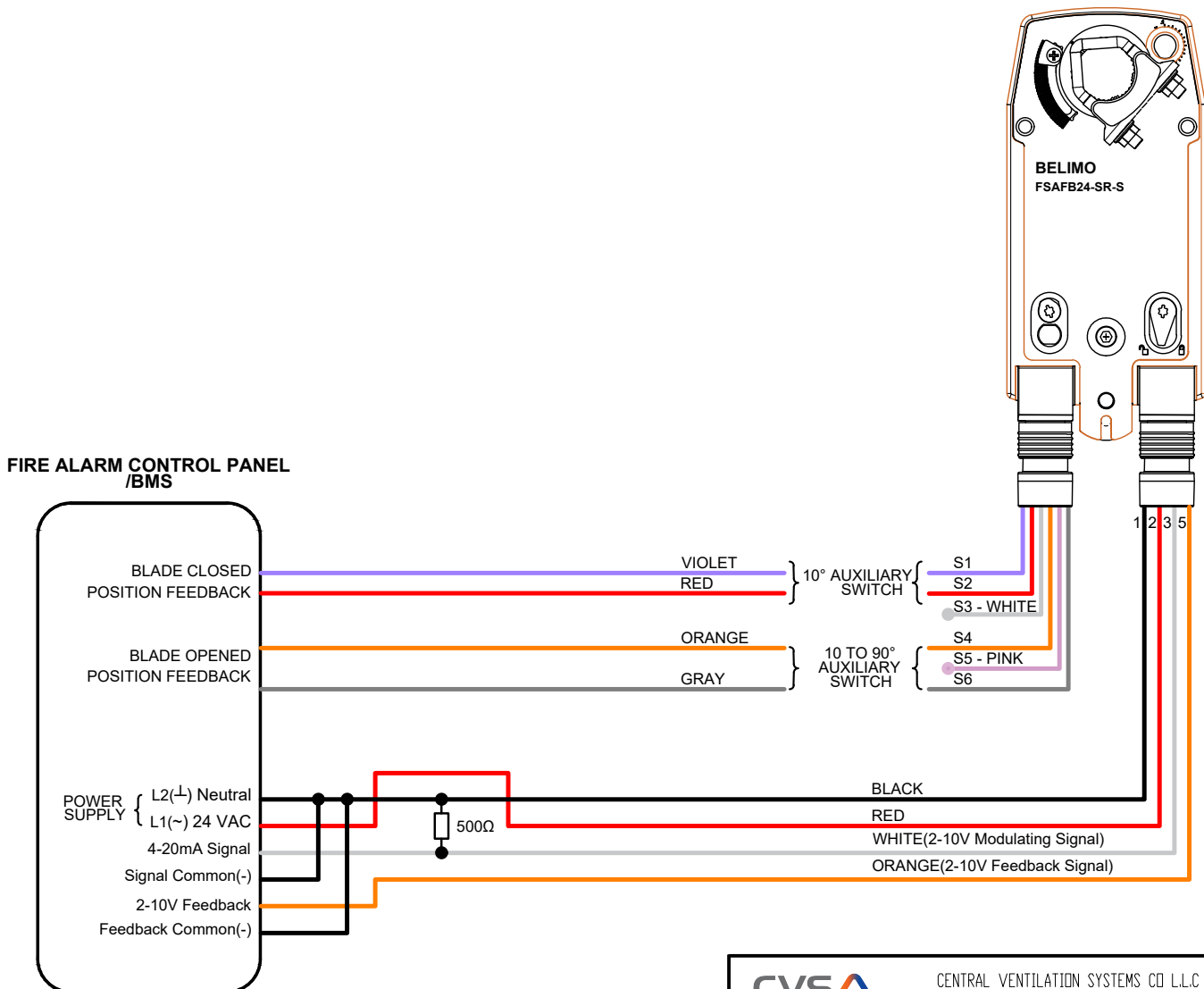
**Power Supply:** 24 VAC

**Torque:** 20 Nm

**Applicable on following CVS-SAFE4 Damper Models:** S-AFM-PB-I, S-AFM-OB-I, S-AFM-PB-II, S-AFM-OB-II

### Wiring Diagram

**SPRING RETURN ACTUATOR**



**Actuator Model:** FSAFB24-SR-S with 2 built-in Auxiliary Switches

**Modulating Signal Source:** Belimo Wall Mounted Positioner (Model SGA24)

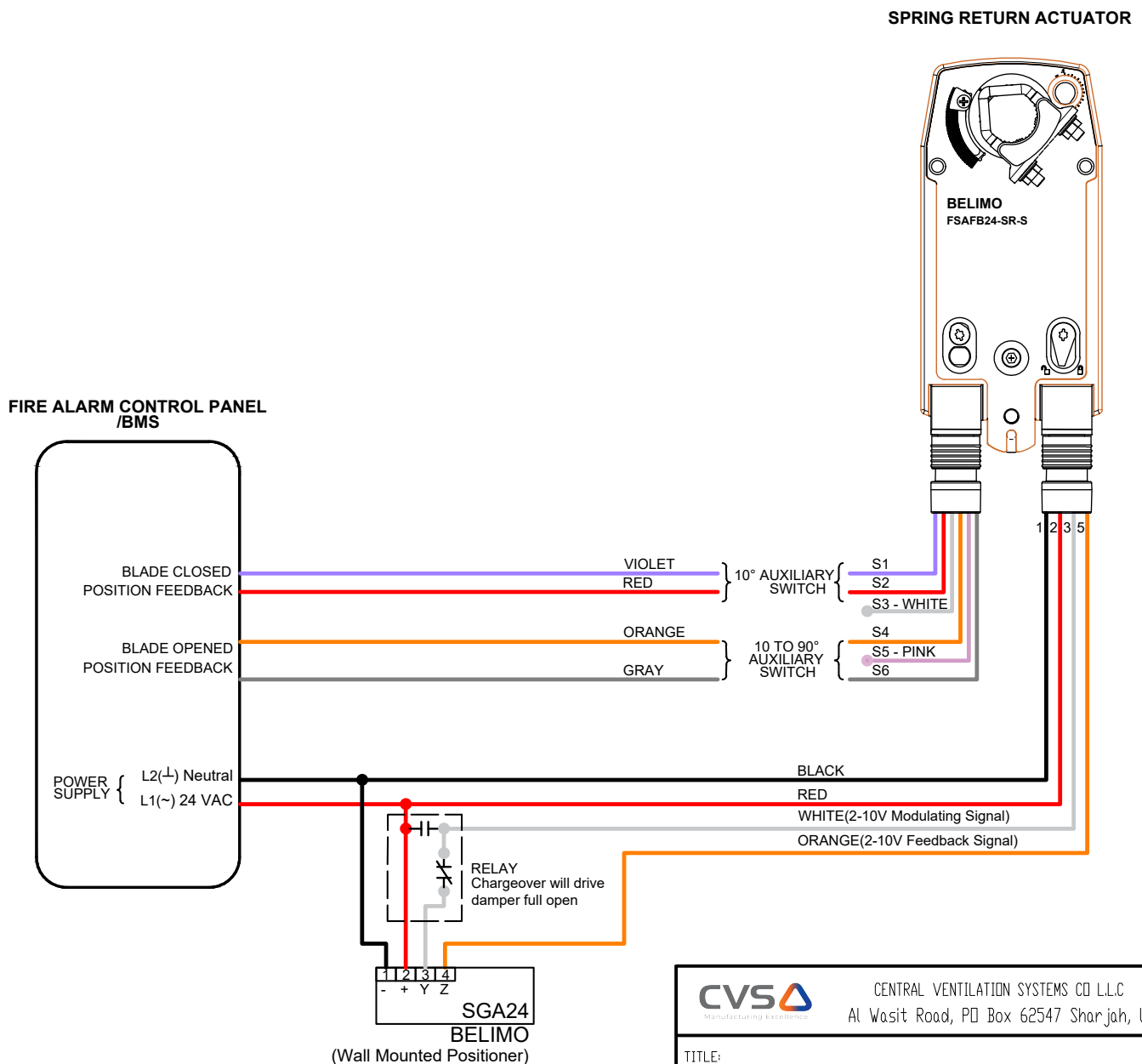
**Modulating Signal Type:** 2-10VAC

**Power Supply:** 24 VAC

**Torque:** 20 Nm

**Applicable on following CVS-SAFE4 Damper Models:** S-AFM-PB-I, S-AFM-OB-I, S-AFM-PB-II, S-AFM-OB-II

### Wiring Diagram



**CVS** CENTRAL VENTILATION SYSTEMS CO L.L.C  
Manufacturing Excellence Al Wasit Road, PO Box 62547 Sharjah, UAE

TITLE:  
WIRING DIAGRAM - BELIMO ACTUATOR  
(FSAFB24-SR-S) with SGA24 - 20 Nm