

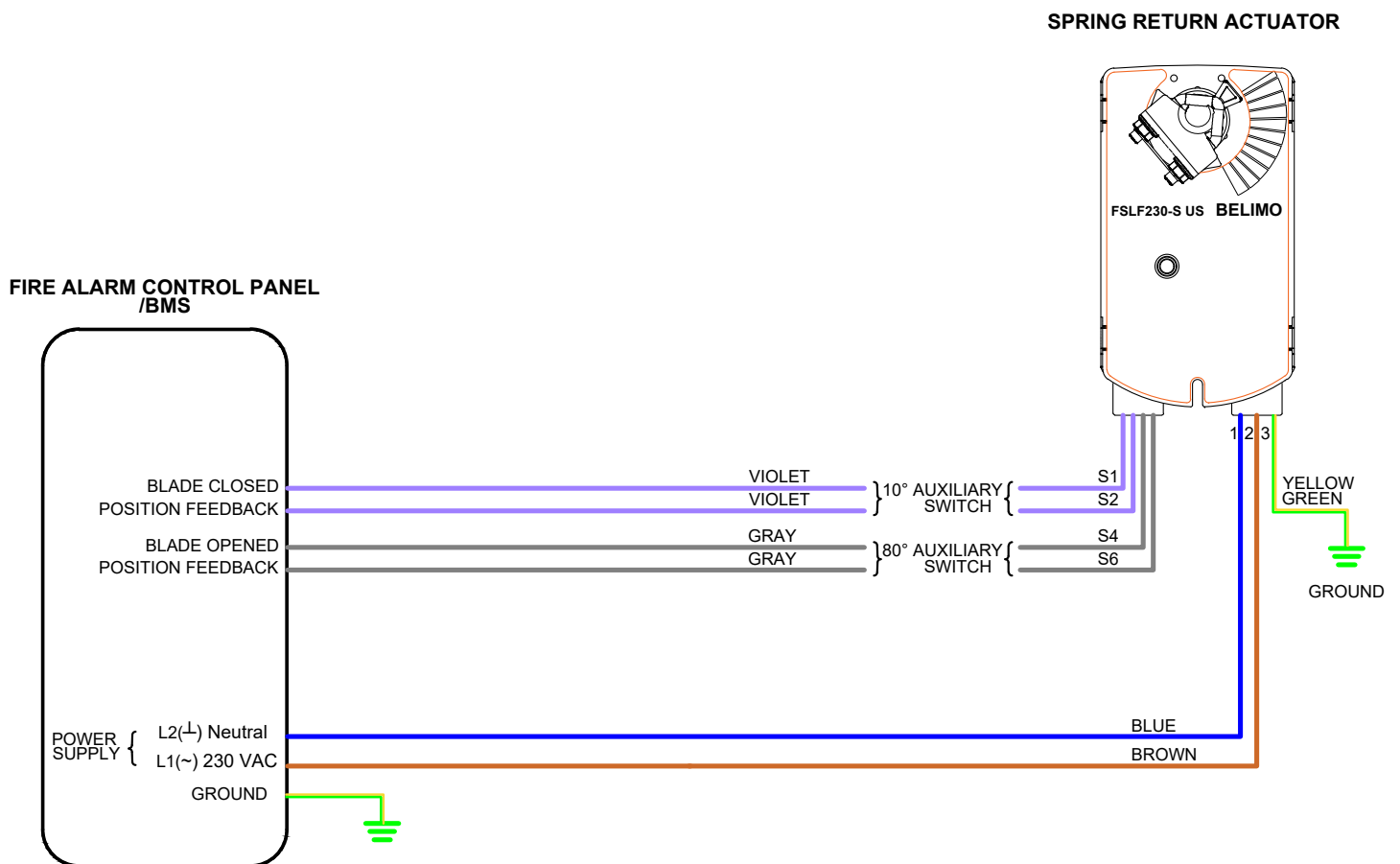
Actuator Model: FSLF230-S US with 2 built-in Auxiliary Switches

Power Supply: 230 VAC

Torque: 3.5 Nm

Applicable on following CVS-SAFE4 Damper Models: SSD-3V-201, -202, SSD-3V-FA-201, -202, SSD-3V-OW-201, -202, SSD-AF-201, -202, SSD-AF-FA-201, -202, SSD-AF-OW-201, -202, SSD-RD-201, -202

Wiring Diagram



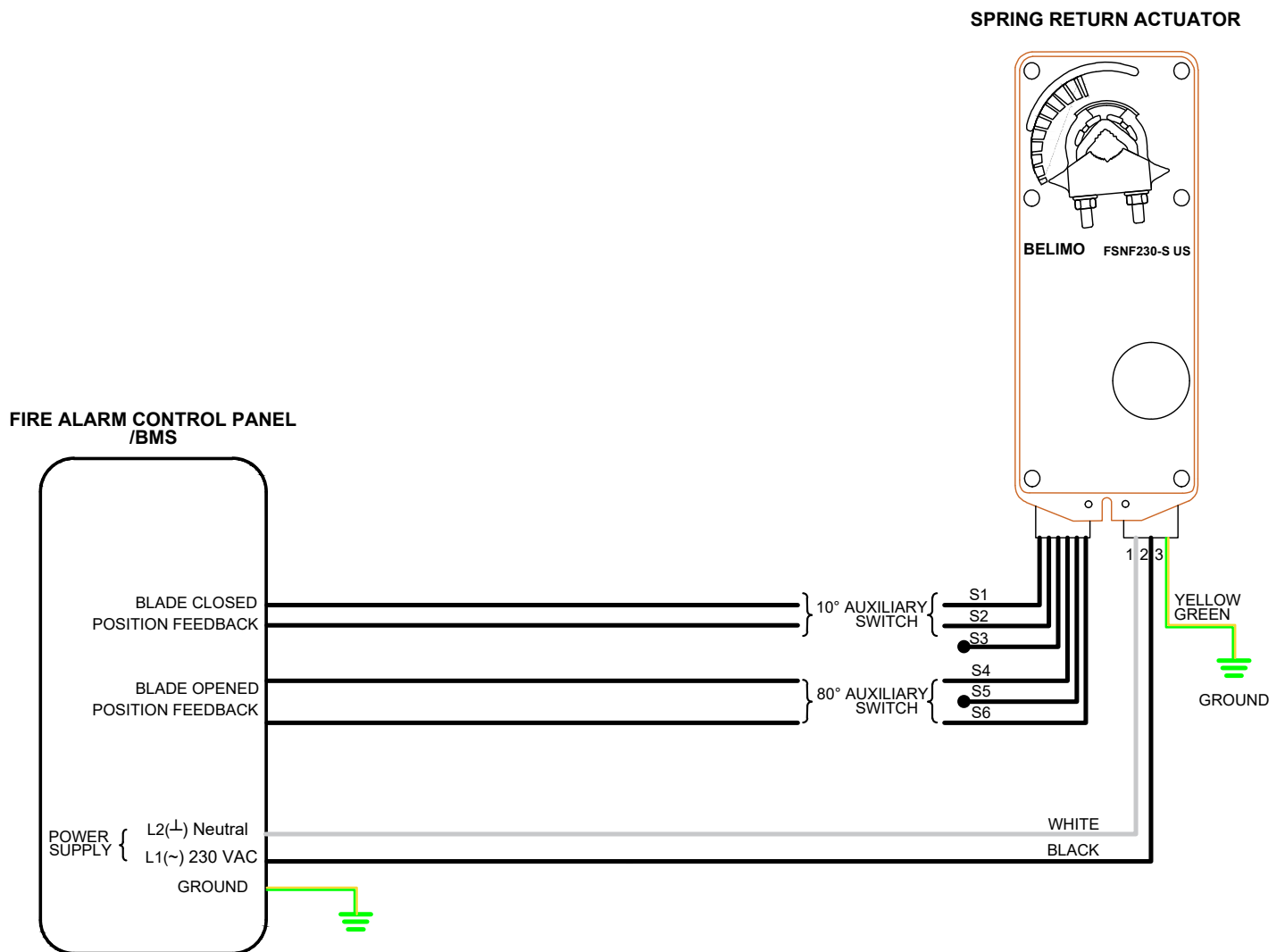
Actuator Model: FSNF230-S US with 2 built-in Auxiliary Switches

Power Supply: 230 VAC

Torque: 8 Nm

Applicable on following CVS-SAFE4 Damper Models: SSD-3V-201, -202, SSD-3V-FA-201, -202, SSD-3V-OW-201, -202, SSD-AF-201, -202, SSD-AF-FA-201, -202, SSD-AF-OW-201, -202, SSD-RD-201, -202

Wiring Diagram



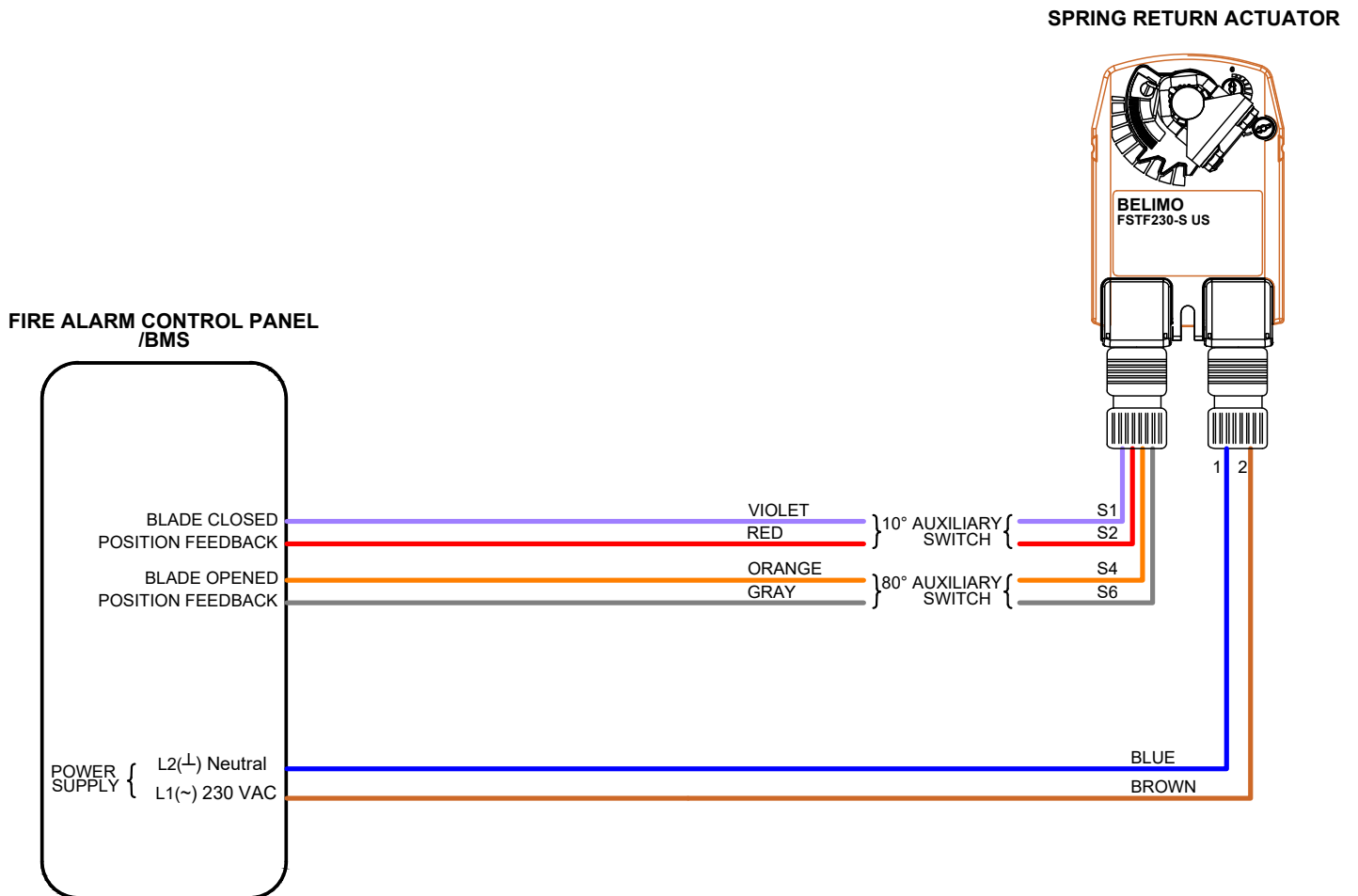
Actuator Model: FSTF230-S US with 2 built-in Auxiliary Switches

Power Supply: 230 VAC

Torque: 2 Nm

Applicable on following CVS-SAFE4 Damper Models: SSD-3V-201, -202, SSD-3V-FA-201, -202, SSD-3V-OW-201, -202, SSD-AF-201, -202, SSD-AF-FA-201, -202, SSD-AF-OW-201, -202, SSD-RD-201, -202

Wiring Diagram



Actuator Model: MS4604F1210 with 2 built-in Auxiliary Switches

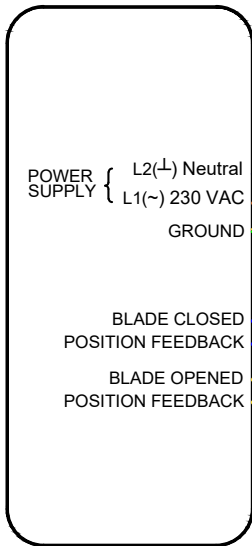
Power Supply: 230 VAC

Torque: 3.4 Nm

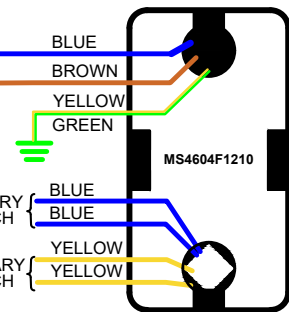
Applicable on following CVS-SAFE4 Damper Models: SSD-3V-201, -202, SSD-3V-FA-201, -202, SSD-3V-OW-201, -202, SSD-AF-201, -202, SSD-AF-FA-201, -202, SSD-AF-OW-201, -202, SSD-RD-201, -202

Wiring Diagram

FIRE ALARM CONTROL PANEL /BMS



SPRING RETURN ACTUATOR



Actuator Model: MS4609F1210 with 2 built-in Auxiliary Switches

Power Supply: 230 VAC

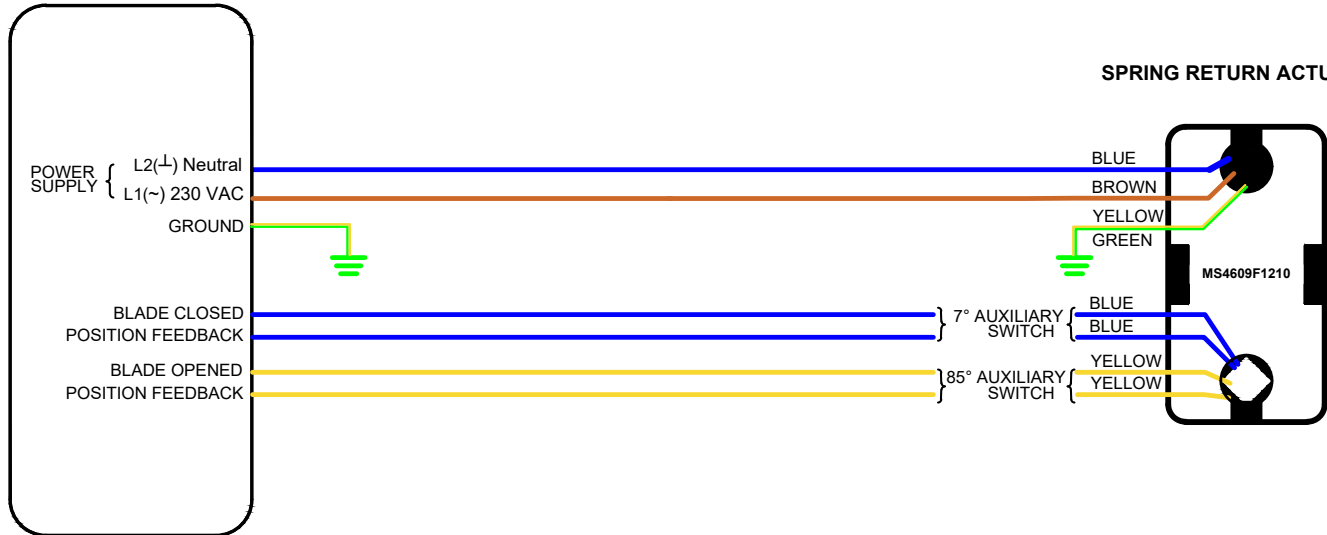
Torque: 9 Nm

Applicable on following CVS-SAFE4 Damper Models: SSD-3V-201, -202, SSD-3V-FA-201, -202, SSD-3V-OW-201, -202, SSD-AF-201, -202, SSD-AF-FA-201, -202, SSD-AF-OW-201, -202, SSD-RD-201, -202

Wiring Diagram

FIRE ALARM CONTROL PANEL /BMS

SPRING RETURN ACTUATOR



Actuator Model: MS4620F1210 with 2 built-in Auxiliary Switches

Power Supply: 230 VAC

Torque: 20 Nm

Applicable on following CVS-SAFE4 Damper Models: SSD-3V-201, -202, SSD-3V-FA-201, -202, SSD-3V-OW-201, -202, SSD-AF-201, -202, SSD-AF-FA-201, -202, SSD-AF-OW-201, -202, SSD-RD-201, -202

Wiring Diagram

