

Reference:

Client:

Project:

Consultant:

Location:

Contractor:

Date:

Submitted by:



Manufacturing Excellence

Model S-AFM-PB/OB-II

Modulating Smoke Damper
Airfoil Blade, Class 2, UL-Classified

(Class II is < 20 cfm per sq. ft. @ 4" w.g.)

Application:

The CVS-SAFE4 model S-AFM-PB/OB-II is a Class 2 leakage rated modulating Smoke Damper with Airfoil style blades (tested per UL 555S) for minimal pressure drop. The S-AFM-PB/OB-II has been qualified to the velocities and pressures below for smoke control applications, and also acts as a modulating control damper. The S-AFM-PB/OB-II is approved for vertical installation (in walls and partitions) with blades running horizontally as well as horizontal installation (floors). The S-AFM-PB/OB-II is rated for airflow and leakage in either direction.

MAXIMUM VELOCITY: 2000 fpm (10.2 m/s)

MAXIMUM PRESSURE: 4" w.g. (1kPa)

NOTE: S-AFM-II is approved for volume control use (VCD).

Standard Construction:

	Standard	Optional
Frame Material	20 Gauge (1) Galv. Roll-Formed Steel hat section w/ staked corners for integral bracing	----
Blade Material and Type	Airfoil-shaped, double skin galvanized steel mechanically fastened to form equivalent to 14-Gauge (2) Steel	----
Blade Sizes	Min. width of 5" (127) to max. width of 7" (178)	----
Frame Depth	5" (127)	----
Dimensions	Actual - 1/4" (6)	Actual
Axle Bearings	Bronze Oilite (press fit into frame)	----
Axle Material	Plated Steel	----
Seals	Pressure Sensitive 450°F (232°C) silicone blade edge & flexible stainless jamb seals	----
Linkage	.125" (3.2) plated steel, Concealed in Frame	----
Sleeve	16" x 20 gauge (406x1) galvanized steel	Various sleeve lengths & gauges available
Operating Temp.	250° (121°C)	----
Leakage Class Rating	Class 2	Class 1 (see Model S-AFM-PB/OB-I)
Actuator	Modulating Type (With Switch)	Modulating Type (Without Switch)

Minimum and Maximum Sizes:

UL 555S Rating Mounting	Minimum Size (WxH)	Maximum Size (WxH)	
		Single Section	Multiple Section
Vertical (Wall) or Horizontal (Floor)	8x8* (203x203)	32x30 (813x762)	96x60 (2438x1524)

All dimensions shown in inches, parentheses () indicate millimeters.

1 As part of our continuous improvement program, we reserve the right to make further improvements without notice.



LISTINGS:

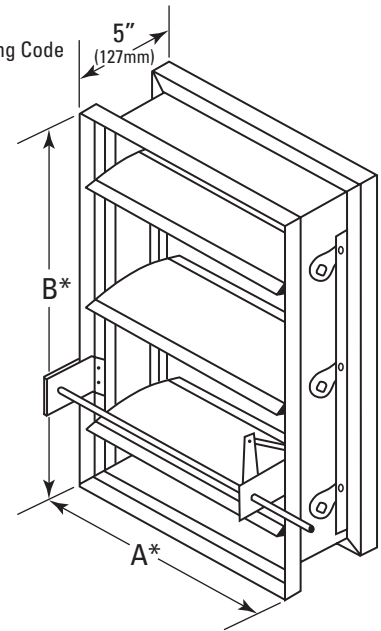
UL Listing: R27700(UAE), R41135(KSA), R40068(Qatar), R41122(Egypt)

STANDARDS MET:

NFPA Standards: 92A, 92B, 101 & 105

Building Code Standard:

ICC International Building Code



* Width [A dimension] and Height [B dimension] are approximately 1/4" (6) undercut with added 20 gauge sleeve, width and height are approximately actual.

Optional Construction:

Auxiliary Switch

Add to Actuator Blade Mounted Switch (BIS)

Momentary Test Switch

Factory Sleeve:

Optional Length: _____ (Std. 16" [406])

Gauge: 20 18 16 14 10

No Sleeve: Insert Type Plate

Framed Retaining Angles 16ga. x 1-1/2" x 1-1/2" (1.5 x 38 x 38)

1-Side 2-Sides

Remote Control Box

RCB-1 RCB-3

Smoke Detector

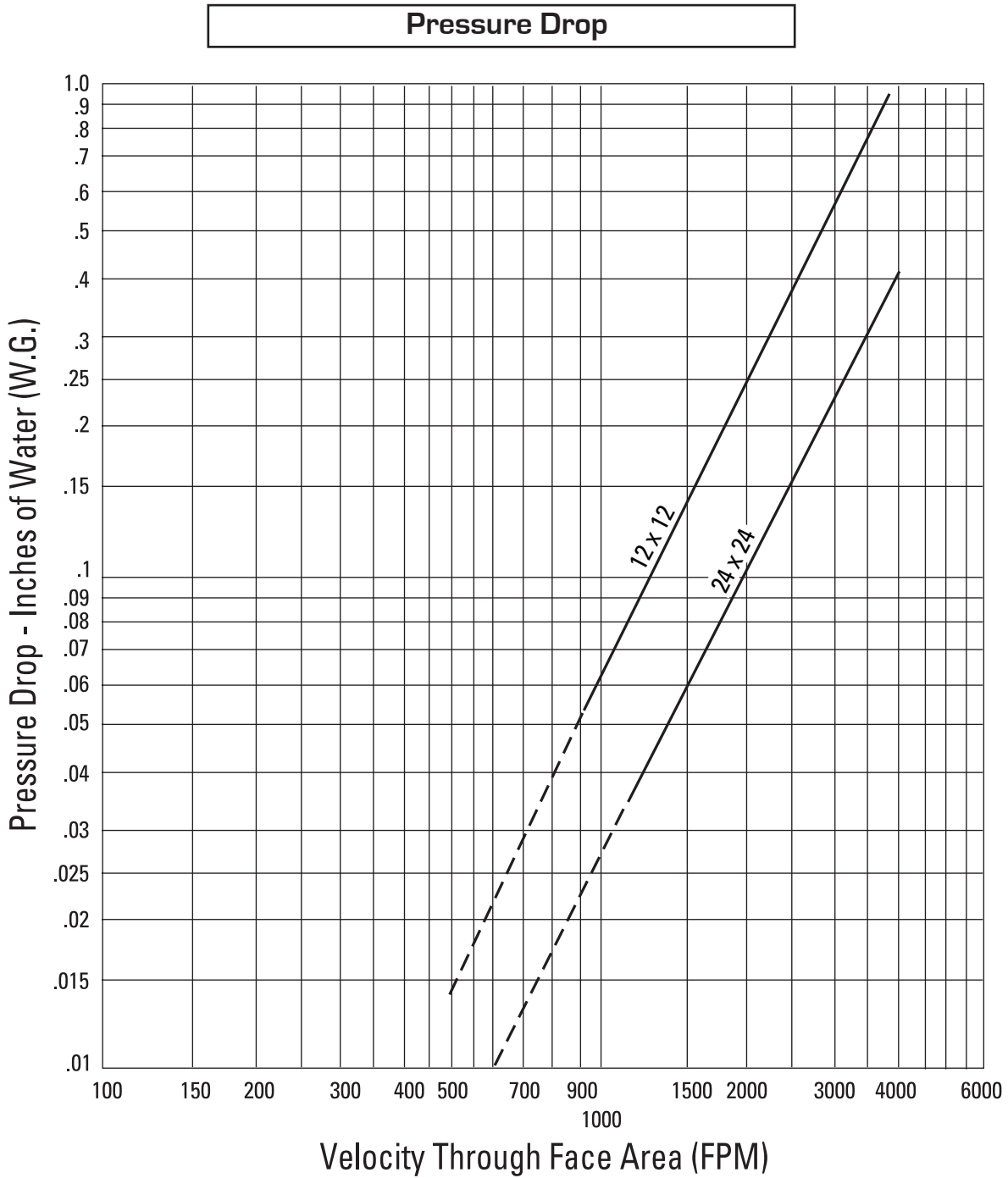
Factory Mounted Shipped Loose

Actuator Location

Right External (std) Left External

Internal (min. size is 12" w x 12" h)

Submittal



To determine pressure drop:

1. Locate the applicable face velocity on the bottom of the chart.
2. Move up the chart to the most appropriate size damper line.
3. From the intersection point, move left to determine the pressure drop.

AMCA Figure 5.3 - Ducted Inlet and Outlet

Pressure drop testing was performed by an independent laboratory to the AMCA Standard 500-D, Fig. 5.3 (ductwork upstream and downstream).

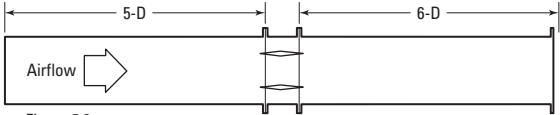


Figure 5.3

2 As part of our continuous improvement program, we reserve the right to make further improvements without notice.

Actuator Requirements:

UL555S requires that all leakage rated dampers be provided with factory mounted actuators. Available actuators vary by damper size and velocity, pressure and temperature ratings. Consult Motor/Actuator sheet for UL Products for current offering.

Multiple section damper assemblies may require multiple actuators. In this case, all electric actuators will be factory wired to a single point.

If pneumatic actuators are employed, all will be plumbed to a common Valve.

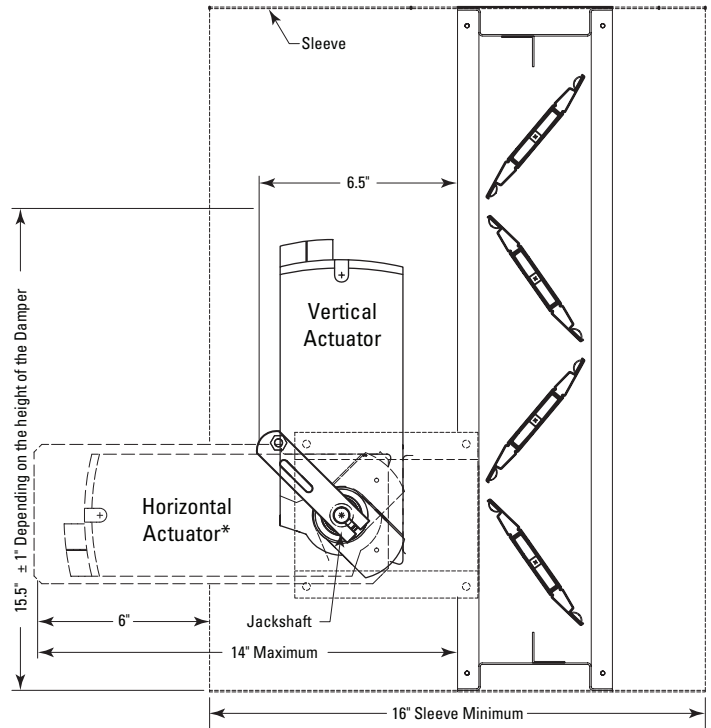
As a standard, the actuator is externally installed on the lower right-hand half of the damper when viewed from the jackshaft side. **The damper may be installed/rotated 180°** such that the actuator will be located on the upper left. The top of the damper is either side of the frame as long as the blades are running horizontal.

S-AFM-PB/OB-II Notes:

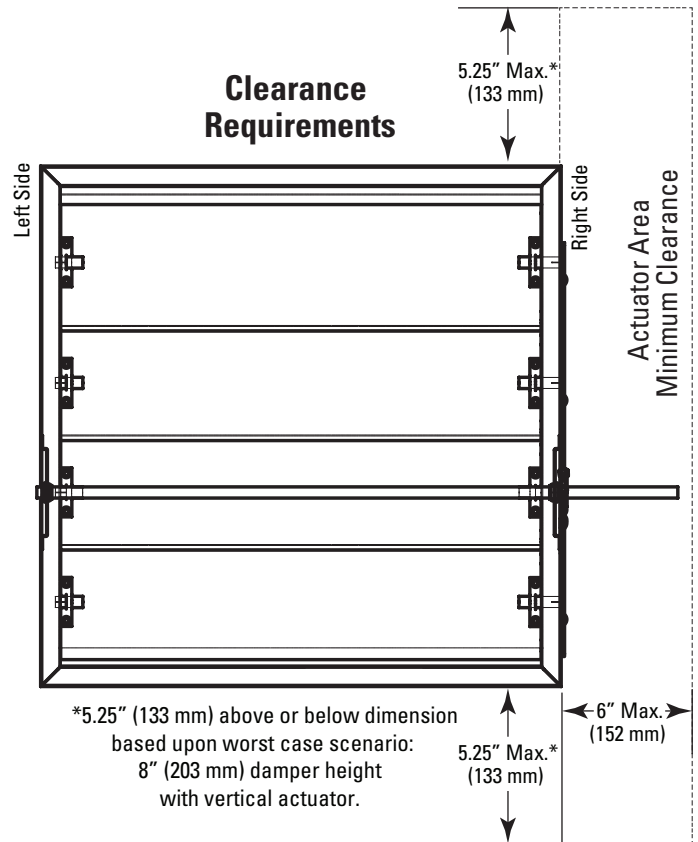
- Non-Sleeved and IT Plate dampers are furnished approximately 1/4" (6 mm) smaller than given duct dimensions.
- Sleeved dampers are furnished approx. same size as given duct dimension, unless otherwise noted.
- The S-AFM-PB/OB-II must be installed so that blades run horizontally.
It is NOT recommended for blades to run vertically.
- All Smoke Dampers are supplied with a an actuator (electric or pneumatic) and are jackshafted.

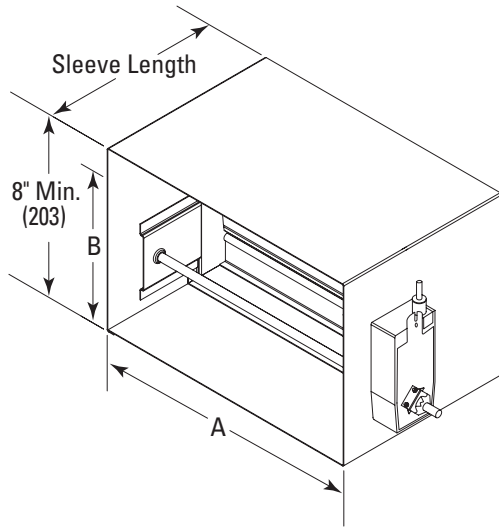
Applicable CVS Literature:

- Smoke Damper Installation, Operation and Maintenance (IOM)
- Optional Sealing of Dampers in Fire and Smoke Rated Walls or Floors
- Installing the Smoke Detector
- Field Modification of Factory Supplied Sleeves



*Horizontal Actuators can be provided as "low profile" option and will be provided on a standoff to allow for duct connections.





Standard Sleeve configuration where sleeve is added to damper. Damper size will be 1/4" (6) under ordered dimensions; sleeve dimension will be roughly ordered dimensions.

Flanges: An optional 3/4" (19) flanged sleeve is available for grille mounting.

Note: If actuator is to be externally mounted, the flange(s) will need to be field installed.

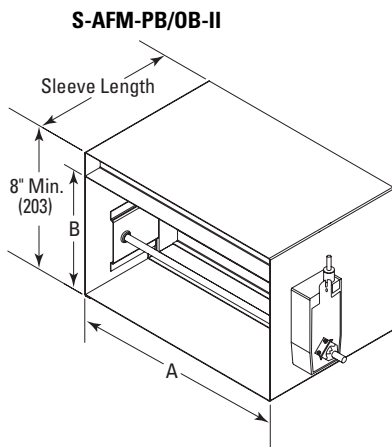
Duct Connections/Sleeve Transitions:

Minimum Damper height is 8" (203). If smaller duct heights are required, transition will be supplied as shown in the detail S-AFM-PB/OB-II.

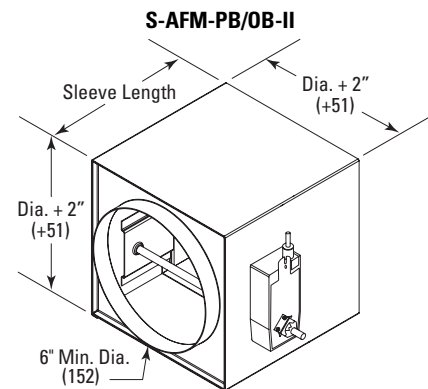
- **Minimum duct height is 6" (152)**

Square to Round transitions attached on both ends of the damper sleeve (Model S-AFM-PB/OB-II). Product is ordered on duct Diameter; damper will be fabricated 2" (51) larger in width and height. Collar extends 1.25" (32) beyond the sleeve length.

- **Minimum 6" (152) diameter, Maximum 58" (1473) diameter for Vertical or Horizontal mount.**



A = Duct Width
B = Duct Height



Rectangular to Oval (Model S-AFM-PB/OB-II) or Square/Rectangular to Square/Rectangular (Model S-AFM-PB/OB-II) transitions attached on both ends of the damper sleeve. Product is ordered on width and height of duct connection required; damper will be fabricated 2" (51) larger in width and height. Collar extends 1.25" (32) beyond the sleeve length.

- **Minimum 6" w x 6" h (152 x 152), Maximum 94" w x 58" h (2388 x 1473) for Vertical or Horizontal mount.**

