

NOTE: This is an installation *supplement*. Please refer to the original IOM for all applicable products before using this document.



APPLICATION:

The following is intended to act as an installation supplement for installing CVS fire and combination fire/smoke dampers in concrete floors utilizing corrugated steel deck. The steel deck material may not allow the bottom mounting angles to be placed against the steel deck on an even plane.

INSTALLATION NOTES:

1. Retaining angles are required on top and bottom sides of dampers as detailed in the damper installation instructions. Angles may be reversed so that one leg of the angles is inserted into the floor opening, provided the required expansion clearance is maintained.
2. Installation of the bottom retaining angle against the uneven steel deck shall be done such that the angles on each side of the sleeve are as close to the barrier as possible. The angles may be in different planes relative to each other (see Figures 1 & 2).
3. When viewed from (bottom) end of sleeve, the angles must overlap each other in the corners so that no 'see through' openings are visible (see Figure 1).

Figure 1: Retaining Angle Installation

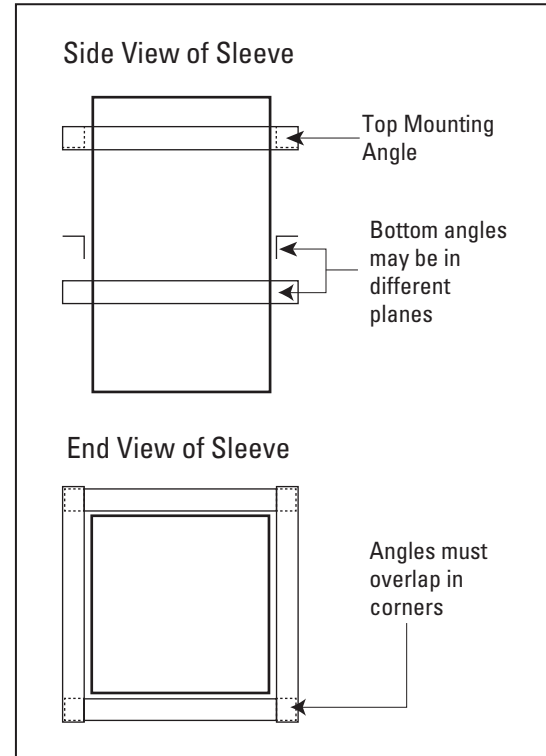


Figure 2: Damper Installed in Concrete Floor with Steel Deck

