

Reference:

Client:

Project:

Contractor:

Location:

Contractor:

Date:

Submitted by:



Manufacturing Excellence

Model FD-SL

Slimline Static Curtain Fire Damper
1-1/2 or 3 Hour, UL555 Classified

Application:

The CVS-SAFE4 model FD-SL fire damper utilizes a Slimline frame as well as curtain style blades to prevent the spread of fire through a penetration in a fire rated barrier made by an HVAC duct or transfer. The FD-SL can be installed vertically or horizontally and is meant for static HVAC systems (fans turn off in a fire) only.



LISTINGS:

UL 555 Listing: R27700(UAE), R41135(KSA), R40068(Qatar), R41122(Egypt)

Standard Construction:

| | Standard | Optional |
|--------------------------------|---------------------------------------|--|
| Frame Material | 22 Gauge Galvanized Roll-formed Steel | ----- |
| Blade Material and Type | 22 Gauge Galvanized Roll-formed Steel | ----- |
| Frame Depth | 2-3/8" (55) | 3-11/16" (94) [see Model FD] 1-1/2" (38) [see Model FD-USL] |
| Dimensions | Actual - 1/4" (6) | Actual |
| Closure Spring | Stainless Steel (Horizontal) | Stainless Steel (Vertical) |
| Fusible Link | 165° (74°C) | 212° (100°C) |
| Mounting | Vertical | Horizontal |
| UL Hour Rating | 1-1/2 Hours | 3 Hours |

Option in Stainless steel construction available.

All dimensions shown in inches, parentheses () indicate millimeters.

Optional Construction:

Factory Installed External Sleeve:

Length: 12 (305) 16 (406) 24 (610) Other: _____

Gauge: 20 (1.0) 18 (1.2) 16 (1.5) 14 (2.0) Other: _____

Location in Sleeve: Standard Offset: _____

Flanged Sleeve (requires factory installed external sleeve):

3/4" (19) 1" (25)

Framed Retaining Angles - 16 ga. x 1 1/2 x 1 1/2 (1.5x38x38)

Single Side Dual Side

Other Options:

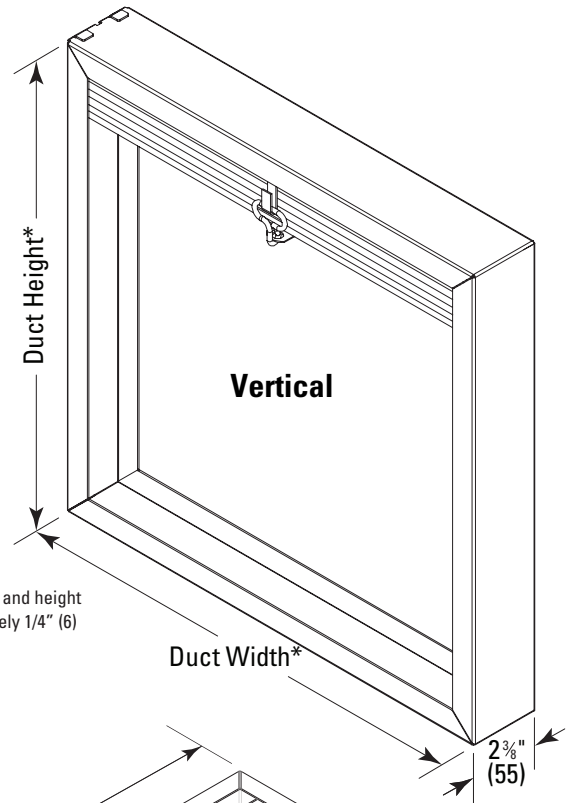
- Dynamic models (see Model FDD-SL)
- Multi-Blade models (FD-MB)
- Regular Frame and Ultra Slimline models (see Models FD and FD-USL)
- Out-of-wall models (see Model FD-OW)
- True Round models (see Model FD-RD)

STANDARDS MET:

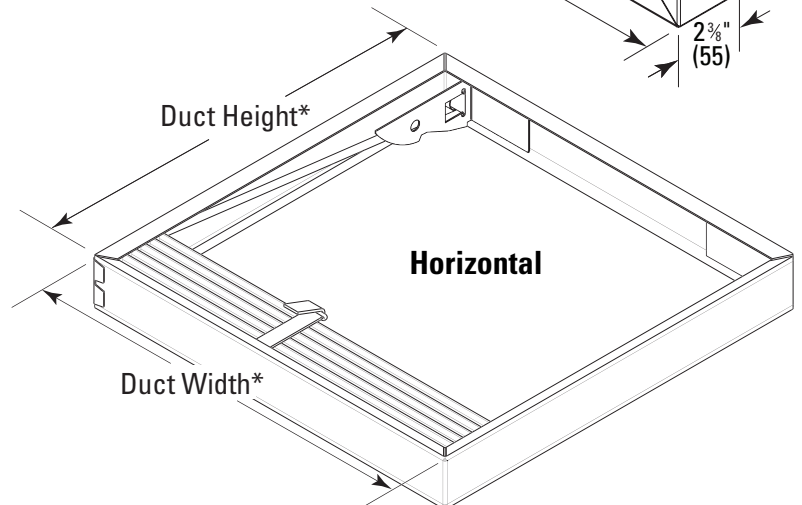
NFPA Standards: 80, 90A, 92A, 92B and 101

Building Code Standard:

ICC International Building Code



*Damper width and height are approximately 1/4" (6) undercut.



As part of our continuous improvement program, we reserve the right to make further improvements without notice.

Submittal

Type A Static Curtain Fire Damper

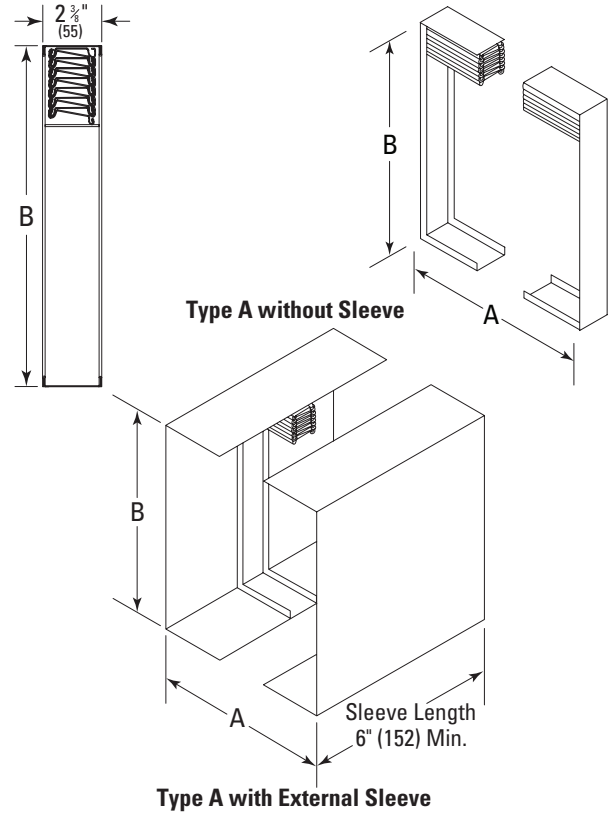
- For use in static HVAC systems (fans off)
- Frame and blade stack in air stream
- Approximately 75-85% Free Area
- Sleeve optional (Factory installed)
- 1-1/2 or 3 Hour Fire Rated

FD-SL-A Minimum & Maximum Sizes:

| Type A Model | Minimum Size | | Max. Single Section | | Max. Multi-Section | |
|-----------------------------|---------------|--------|---|----------------------|--|----------------------|
| | 1.5 Hour | 3 Hour | 1.5 Hour | 3 Hour | 1.5 Hour | 3 Hour |
| FD-SL-A (Vertical) | 4x4 (102x102) | | 60x60 (1524x1524) | 48x48 (1219x1219) | 120x120 (3048x3048) | 80x40 (2032x1016) |
| FD-SL-A (Horizontal) | | | 40x40 (1016x1016) or 48x48 (1219x1219) | 40x40 (1016x1016) | 120x40 (3048x1016) or 96x48 (2438x1219) | 80x40 (2032x1016) |

All dimensions shown in inches, parentheses () indicate millimeters.

A Dimension = Duct Width
B Dimension = Duct Height



Type B Static Curtain Fire Damper

- For use in static HVAC systems (fans off)
- Blade stack out of airstream
- Approximately 80-90% Free Area
- Sleeve optional (Factory installed)
- 1-1/2 or 3 Hour Fire Rated

FD-SL-B Minimum & Maximum Sizes:

| Type B Model | Minimum Size | | Max. Single Section | | Max. Multi-Section ² | |
|-----------------------------|--------------|--------|----------------------|----------------------|---|---------------------|
| | 1.5 Hour | 3 Hour | 1.5 Hour | 3 Hour | 1.5 Hour | 3 Hour |
| FD-SL-B (Vertical) | 4x3 (102x76) | | 60x55 (1524x1397) | 48x43 (1219x1092) | 120x115 (3048x2921) | 80x36 (2032x914) |
| FD-SL-B (Horizontal) | | | 48x43 (1219x1092) | 40x36 (1016x914) | 120x36 (3048x914) or 96x43 (2438x1092) | 80x36 (2032x914) |

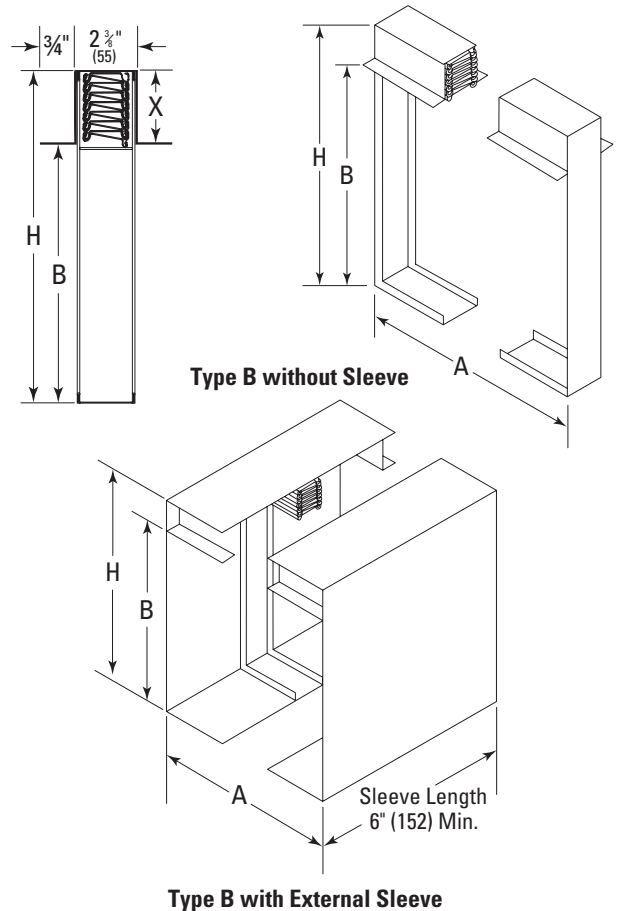
All dimensions shown in inches, parentheses () indicate millimeters.

A Dimension = Duct Width
B Dimension = Duct Height
X Dimension = Height of Blade Stack
H Dimension = Overall Damper Height (B+X)

Notes:

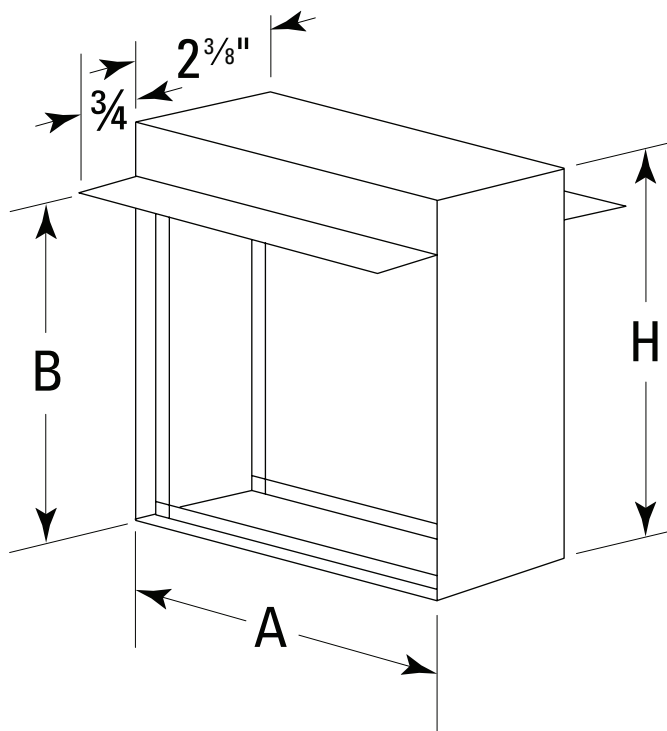
1. Multi-section damper will have frame in the airstream, and blades for vertical models more than one damper in height.

As part of our continuous improvement program, we reserve the right to make further improvements without notice.



Submittal

Type B Fire Damper

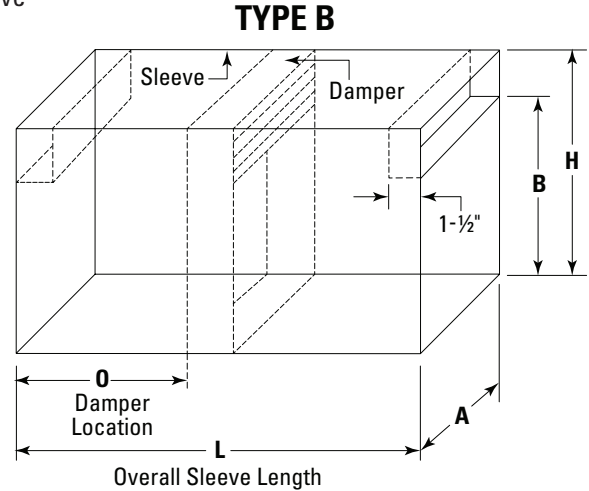
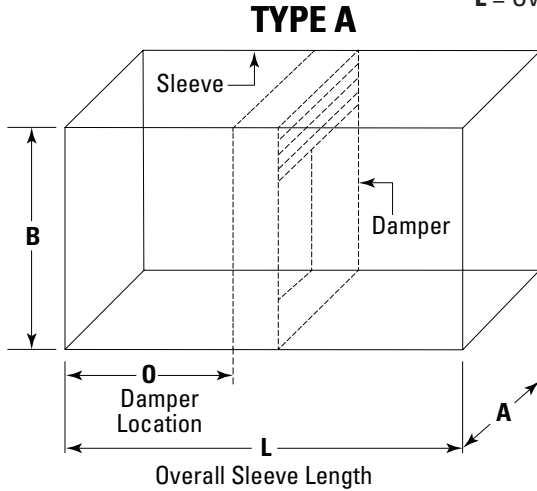


| Duct Height (B) | Type B Damper Height (H) | | | | |
|-----------------|--------------------------|----|----|-----|-----|
| Inches | Inches | | | | |
| 3 | 5 | 40 | 44 | 78 | 82 |
| 4 | 6 | 41 | 45 | 79 | 83 |
| 5 | 7 | 42 | 46 | 80 | 84 |
| 6 | 8 | 43 | 48 | 81 | 85 |
| 7 | 9 | 44 | 49 | 82 | 86 |
| 8 | 10 | 45 | 50 | 83 | 87 |
| 9 | 11 | 46 | 51 | 84 | 88 |
| 10 | 12 | 47 | 52 | 85 | 89 |
| 11 | 13 | 48 | 53 | 86 | 91 |
| 12 | 14 | 49 | 54 | 87 | 92 |
| 13 | 15 | 50 | 55 | 88 | 93 |
| 14 | 16 | 51 | 56 | 89 | 94 |
| 15 | 17 | 52 | 57 | 90 | 95 |
| 16 | 18 | 53 | 58 | 91 | 96 |
| 17 | 19 | 54 | 59 | 92 | 97 |
| 18 | 20 | 55 | 60 | 93 | 98 |
| 19 | 21 | 56 | 59 | 94 | 99 |
| 20 | 22 | 57 | 60 | 95 | 100 |
| 21 | 23 | 58 | 61 | 96 | 101 |
| 22 | 25 | 59 | 62 | 97 | 102 |
| 23 | 26 | 60 | 63 | 98 | 103 |
| 24 | 27 | 61 | 64 | 99 | 104 |
| 25 | 28 | 62 | 65 | 100 | 105 |
| 26 | 29 | 63 | 66 | 101 | 106 |
| 27 | 30 | 64 | 67 | 102 | 107 |
| 28 | 31 | 65 | 69 | 103 | 108 |
| 29 | 32 | 66 | 70 | 104 | 109 |
| 30 | 33 | 67 | 71 | 105 | 110 |
| 31 | 34 | 68 | 72 | 106 | 111 |
| 32 | 35 | 69 | 73 | 107 | 112 |
| 33 | 37 | 70 | 74 | 108 | 113 |
| 34 | 38 | 71 | 75 | 109 | 114 |
| 35 | 39 | 72 | 76 | 110 | 115 |
| 36 | 40 | 73 | 77 | 111 | 116 |
| 37 | 41 | 74 | 78 | 112 | 117 |
| 38 | 42 | 75 | 79 | 113 | 118 |
| 39 | 43 | 76 | 80 | 114 | 119 |
| | | 77 | 81 | 115 | 120 |

Below are diagrams showing the location of the Type A and B fire dampers in a factory installed external sleeve.

Sleeve Diagram Key:

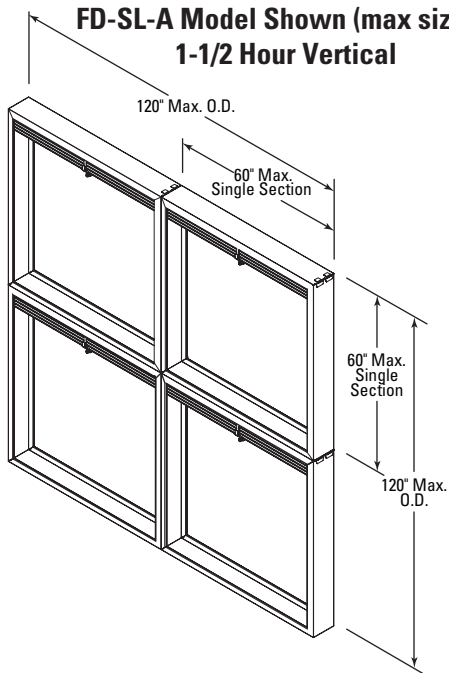
- H** = Overall height
- W** = Overall width (always the length of the blades)
- A** = Duct Width
- B** = Duct Height
- O** = The offset from one end of the sleeve to the beginning of the damper frame (can be altered as a construction option)
- L** = Overall length of sleeve



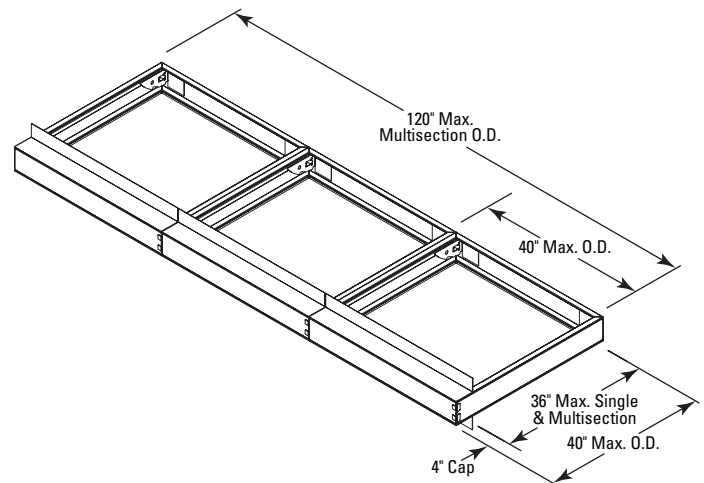
MULTIPLE SECTION INFORMATION - Model FD-SL
Slimline Static Curtain Fire Damper

Multiple section damper assemblies are shipped in individual sections from the factory unless a factory supplied and installed sleeve is required. When a multiple section damper is ordered with a sleeve, it is usually shipped as a complete assembly. The following drawings are of different maximum size multiple section FDD-SL models and are for reference purposes (not all options are shown).

Type A Multi-Section Assembly
FD-SL-A Model Shown (max size):
1-1/2 Hour Vertical



Type B Multi-Section Assembly
FD-SL-B Model Shown (max size):
1-1/2 Hour Horizontal



Notes:

1. These diagrams are for reference purposes
2. Not all FD-SL Model options are shown

As part of our continuous improvement program, we reserve the right to make further improvements without notice.

Submittal