

Actuator Model: FSAFB24-SR-S with 2 built-in Auxiliary Switches

Modulating Signal Source: Fire Alarm Control Panel/BMS

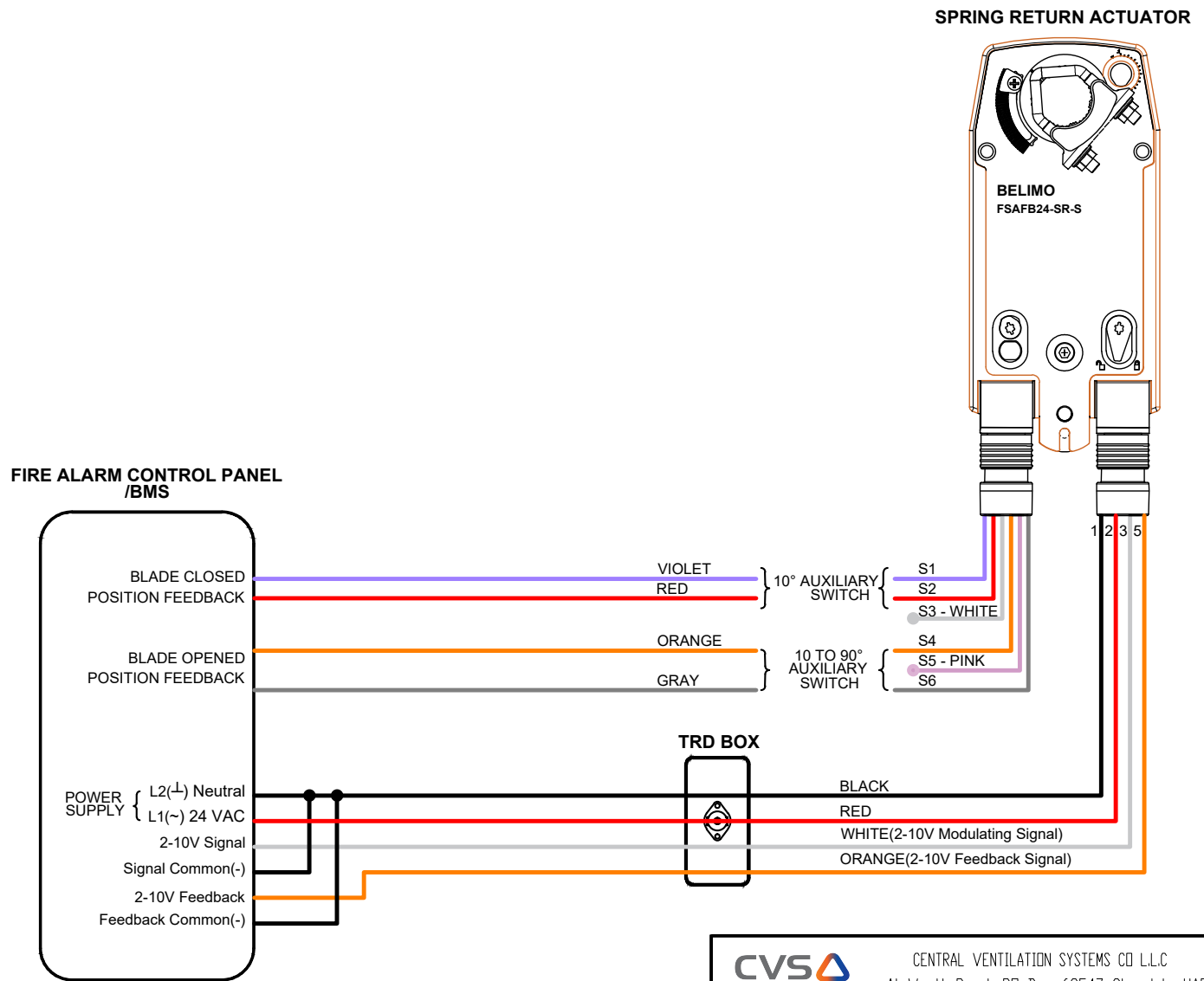
Modulating Signal Type: 2-10VAC

Power Supply: 24 VAC

Torque: 20 Nm

Applicable on following CVS-SAFE4 Damper Models: FD-MB-3V(M), FD-MB-3V-OW(M), FD-MB-3V-FA(M), FD-MB-AF(M), FD-MB-AF-OW(M), FD-MB-AF-FA(M), FDD-MB-3V(M), FDD-MB-3V-OW(M), FDD-MB-3V-FA(M), FDD-MB-AF(M), FDD-MB-AF-OW(M), FDD-MB-AF-FA(M), F/S-AFM-PB-I, F/S-AFM-OB-I, F/S-AFM-PB-II, F/S-AFM-OB-II, F/S-AFM-PB-3-I, F/S-AFM-OB-3-I, F/S-AFM-PB-3-II, F/S-AFM-OB-3-II

Wiring Diagram



Actuator Model: FSAFB24-SR-S with 2 built-in Auxiliary Switches

Modulating Signal Source: Fire Alarm Control Panel/BMS

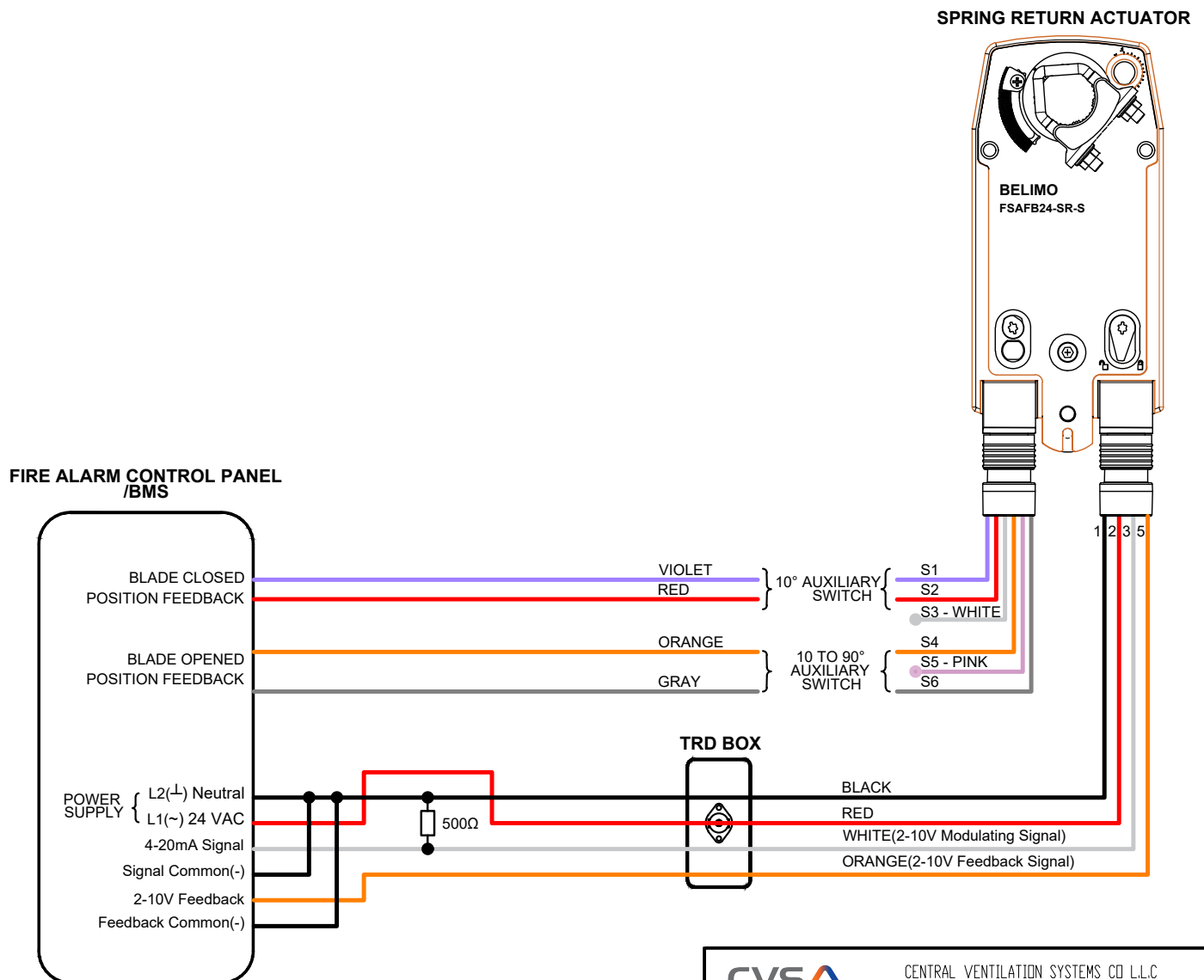
Modulating Signal Type: 4-20mA

Power Supply: 24 VAC

Torque: 20 Nm

Applicable on following CVS-SAFE4 Damper Models: FD-MB-3V(M), FD-MB-3V-OW(M), FD-MB-3V-FA(M), FD-MB-AF(M), FD-MB-AF-OW(M), FD-MB-AF-FA(M), FDD-MB-3V(M), FDD-MB-3V-OW(M), FDD-MB-3V-FA(M), FDD-MB-AF(M), FDD-MB-AF-OW(M), FDD-MB-AF-FA(M), F/S-AFM-PB-I, F/S-AFM-OB-I, F/S-AFM-PB-II, F/S-AFM-OB-II, F/S-AFM-PB-3-I, F/S-AFM-OB-3-I, F/S-AFM-PB-3-II, F/S-AFM-OB-3-II

Wiring Diagram



Actuator Model: FSAFB24-SR-S with 2 built-in Auxiliary Switches

Modulating Signal Source: Belimo Wall Mounted Positioner (Model SGA24)

Modulating Signal Type: 2-10VAC

Power Supply: 24 VAC

Torque: 20 Nm

Applicable on following CVS-SAFE4 Damper Models: FD-MB-3V(M), FD-MB-3V-OW(M), FD-MB-3V-FA(M), FD-MB-AF(M), FD-MB-AF-OW(M), FD-MB-AF-FA(M), FDD-MB-3V(M), FDD-MB-3V-OW(M), FDD-MB-3V-FA(M), FDD-MB-AF(M), FDD-MB-AF-OW(M), FDD-MB-AF-FA(M), F/S-AFM-PB-I, F/S-AFM-OB-I, F/S-AFM-PB-II, F/S-AFM-OB-II, F/S-AFM-PB-3-I, F/S-AFM-OB-3-I, F/S-AFM-PB-3-II, F/S-AFM-OB-3-II

Wiring Diagram

